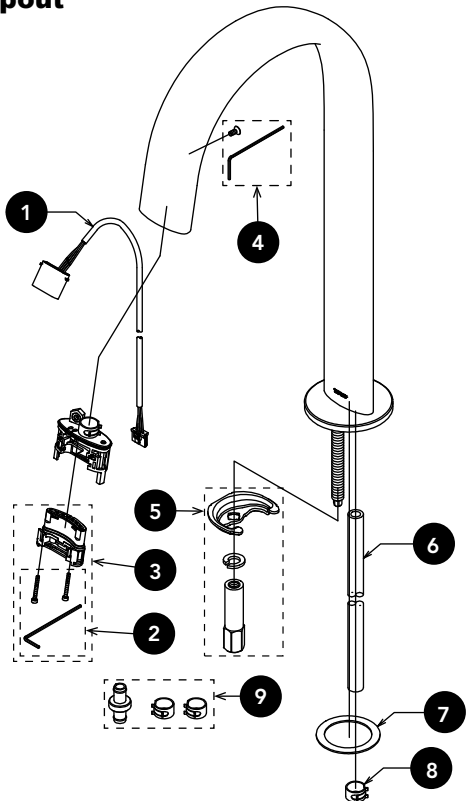


T24T* Series

Touchless Faucet, Gooseneck L Spout ECOPOWER® or AC System

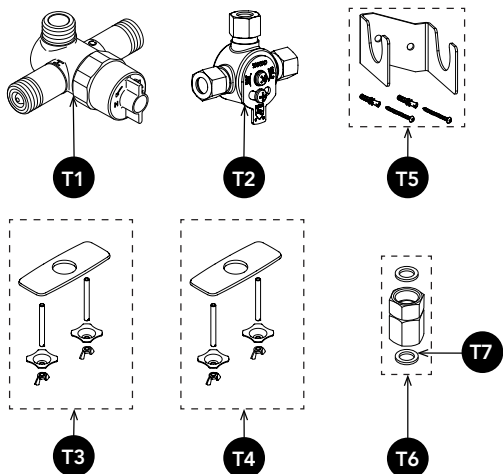
Product Number Kit#	Spout# (Design, Mode)	Controller# (Type, Mode)
T24T32E#\$\$	TLE24003U2#\$\$ (Gooseneck L, On-Demand, 20sec)	TLE03501U2 (ECOPOWER controller 0.12gpc, On-Demand, 20sec)
T24T51E#\$\$	TLE24008U1#\$\$ (Gooseneck L, On-Demand, 10sec)	TLE03502U1 (ECOPOWER controller 0.08gpc, On-Demand, 10sec)
T24T53E#\$\$	TLE24008U3#\$\$ (Gooseneck L, Continuous, 20sec)	TLE03502U3 (ECOPOWER controller 0.17gpc, Continuous, 20sec)
T24T32A#\$\$	TLE24003U2#\$\$ (Gooseneck L, On-Demand, 20sec)	TLE01501U (AC controller 0.35gpm)
T24T51A#\$\$	TLE24008U1#\$\$ (Gooseneck L, On-Demand, 10sec)	TLE01502U (AC controller 0.5gpm)
T24T53A#\$\$	TLE24008U3#\$\$ (Gooseneck L, Continuous, 20sec)	TLE01502U (AC controller 0.5gpm)

Spout



Item	Part	Description
1	THP3400	Sensor, Flat Horizontal, 0.35gpm/ On-Demand, 20sec
	THP3401	Sensor, Flat Horizontal, 0.5gpm/ On-Demand, 10sec
	THP3402	Sensor, Flat Horizontal, 0.5gpm/ Continuous, 20sec
2	THP3423	Flat head screw (2pcs), w/ wrench
3	THP3416	Soft Flow Nozzle, 0.35gpm
	THP3417	Soft Flow Nozzle, 0.5gpm
4	THP3422	Hex head cap bolt (2pcs), w/ wrench
5	THP3427	Spout Mounting Kit
6	THP3434	Hose, 1100mm
7	THP3424	Gasket
8	THP3153	Hose Clip (1pc)
9	THP3435	Hose Joint (1pc) w/ Hose Clip (2pcs)

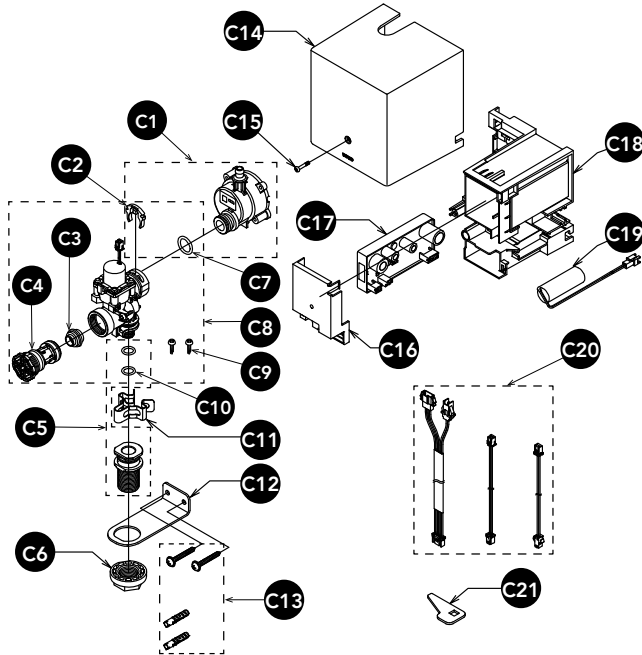
Thermostatic Mixing Valve & Accessories



Item	Part	Description
T1	TLE05701U	Thermostatic Mixing Valve
T2	TLM10	Hot/Cold Mixing Tee
T3	THP5158#CP	Cover Plate - 4"
T4	THP5159#CP	Cover Plate - 8"
T5	THP5084	TLE05701U Mounting Bracket
T6	THP3237	TLE05701U Swivel Coupling
T7	THP3243	Gasket (2pcs)

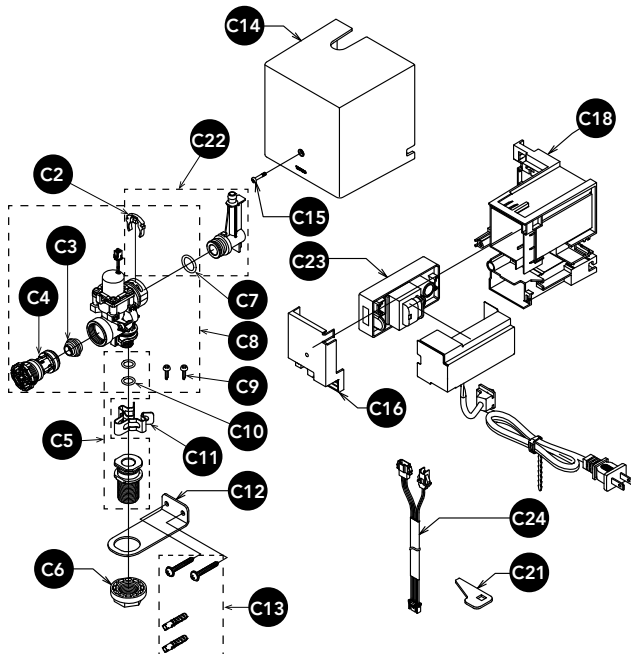
Touchless Faucet, Gooseneck L Spout ECOPOWER® or AC System

ECOPOWER Controller



Item	Part	Description
C1	THP3454	Generator, 0.35gpm
	THP3455	Generator, 0.5gpm
C2	THP3470	Snap Ring
C3	THP3450	Flow Regulator, 0.35gpm
	THP3451	Flow Regulator, 0.5gpm
C4	THP3453	Filter Unit
C5	THP3465	Adapter w/ O-Ring (2pcs)
C6	THP3466	Mounting Nut
C7	THP3132	O-Ring (1pc)
C8	THP3446	Solenoid Valve Unit, 0.35gpm
	THP3447	Solenoid Valve Unit, 0.5gpm
C9	THP3467	Screw (1pc)
C10	THP3468	O-Ring (1pc)
C11	THP3464	Quick Fastener
C12	THP3461	Mounting Bracket
C13	THP3463	Screw and Anchor set (2pcs)
C14	THP3459	Cover
C15	THP3099	Cover Screw
C16	THP3473	Case Cover
C17	THP3441	Controller, ECOPOWER
	THP3442	On-Demand 20 sec
	THP3443	Controller, ECOPOWER
	THP3443	On-Demand 10 sec
	THP3443	Continuous 20 sec
C18	THP3472	Case
C19	THP3053	Backup Battery (Lithium) (1pc)
C20	THP3476	Extension Harness, ECOPOWER
C21	THP3471	Key

AC Controller



Item	Part	Description
C2	THP3470	Snap Ring
C3	THP3450	Flow Regulator, 0.35gpm
	THP3451	Flow Regulator, 0.5gpm
C4	THP3453	Filter Unit
C5	THP3465	Adapter w/ O-Ring (2pcs)
C6	THP3466	Mounting Nut
C7	THP3132	O-Ring (1pc)
C8	THP3446	Solenoid Valve Unit, 0.35gpm
	THP3447	Solenoid Valve Unit, 0.5gpm
C9	THP3467	Screw (1pc)
C10	THP3468	O-Ring (1pc)
C11	THP3464	Quick Fastener
C12	THP3461	Mounting Bracket
C13	THP3463	Screw and Anchor set (2pcs)
C14	THP3459	Cover
C15	THP3099	Screw for Cover
C16	THP3473	Case Cover
C18	THP3472	Case
C21	THP3471	Key
C22	THP3457	Hose Joint Unit
C23	THP3444	Controller, AC
C24	THP3477	Extension Harness, AC